

To:

Director (Maintenance)
Defence Housing Authority
Lahore Cantt.

Subject: **GRAVE SOLIDIFICATION – GRAVE NO.** _____.

Respected Sir,

I am resident of House No. _____ Sector _____ Phase _____ and my
_____ Mr. /Mrs. /Ms. _____
S/O, W/O, D/O _____, died on _____ and buried
on _____ in DHA _____ Grave No. _____.

Thanking you in anticipation of your kind cooperation.

Thanking you,

Yours Faithfully,

NOTE:

Design and dimensions for the grave at the back.

Applicant Signature: _____

Date: _____

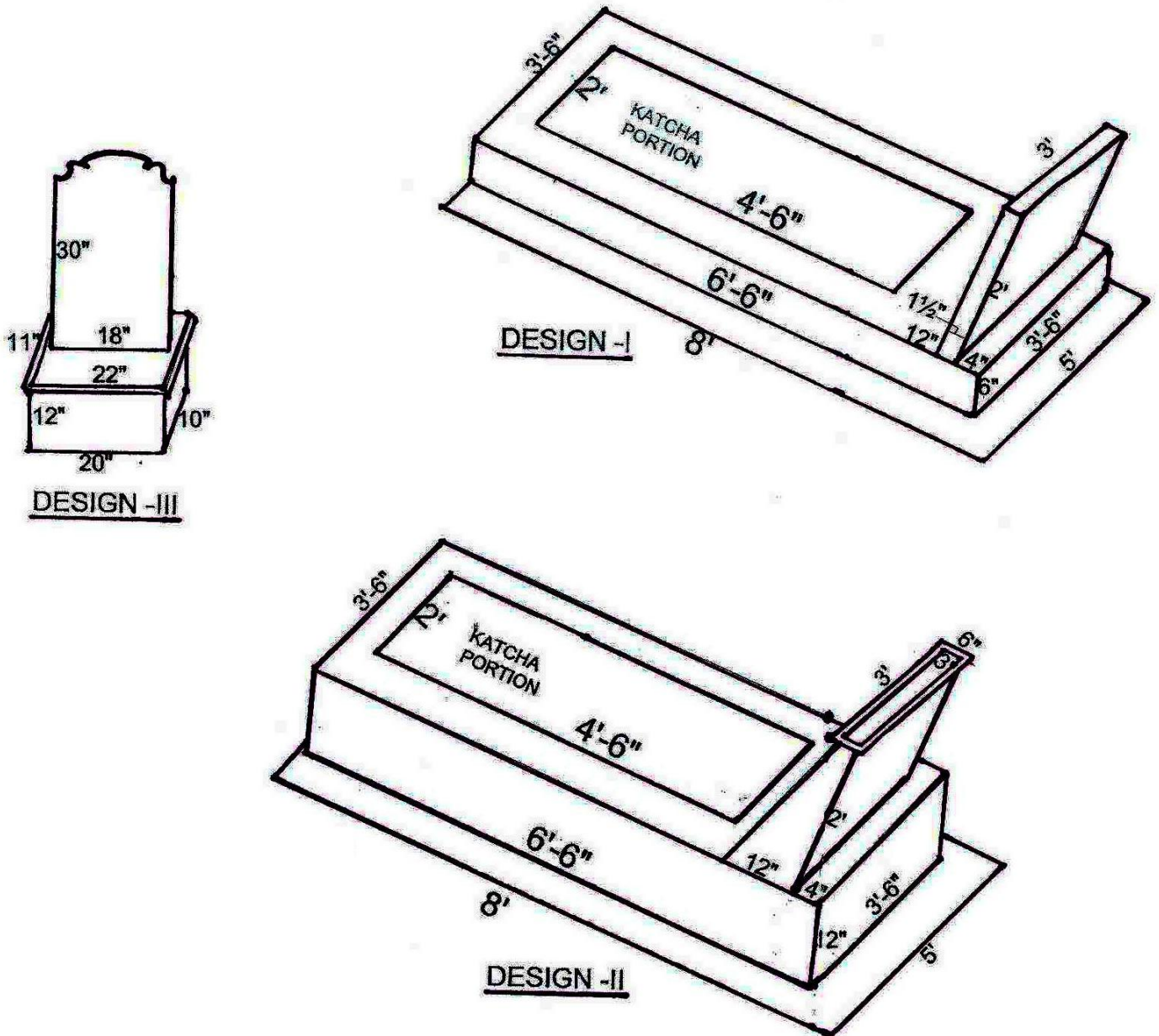
PARTICULAR OF APPLICANT:

<u>Name of Present Owner of House / Building</u>	<u>Relationship of Owner with Deceased</u>	<u>Relationship of Applicant with Deceased</u>

DOCUMENTS REQUIRED

1. Photocopy of CNIC of Owner, Deceased and Applicant.

APPROVED DRAWING FOR GRAVE



Note:

- Processing time for burial certificate is **3 x working days**.
- Grave solidification time is **1 x working day**.